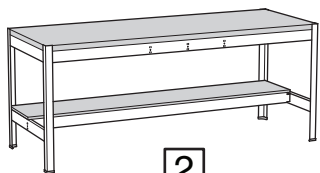


1

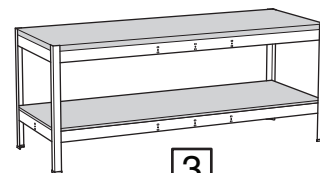
BS4040



2

BS4040

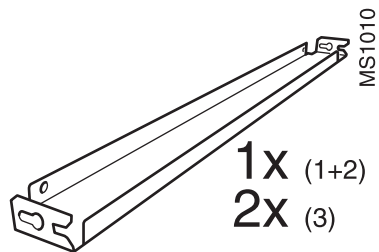
BS2020



3

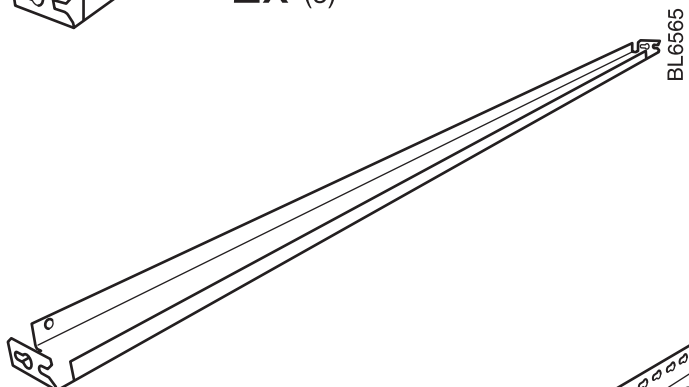
BS4040

BS3030



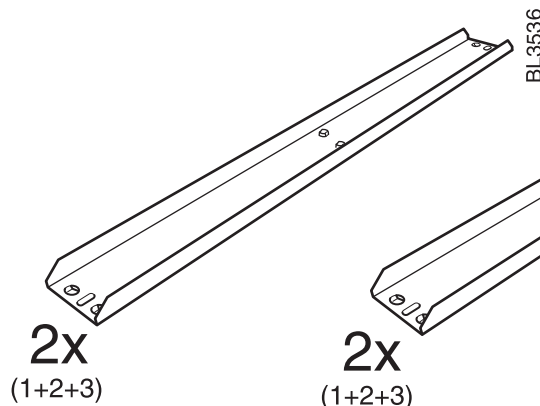
MS1010

1x (1+2)  
2x (3)



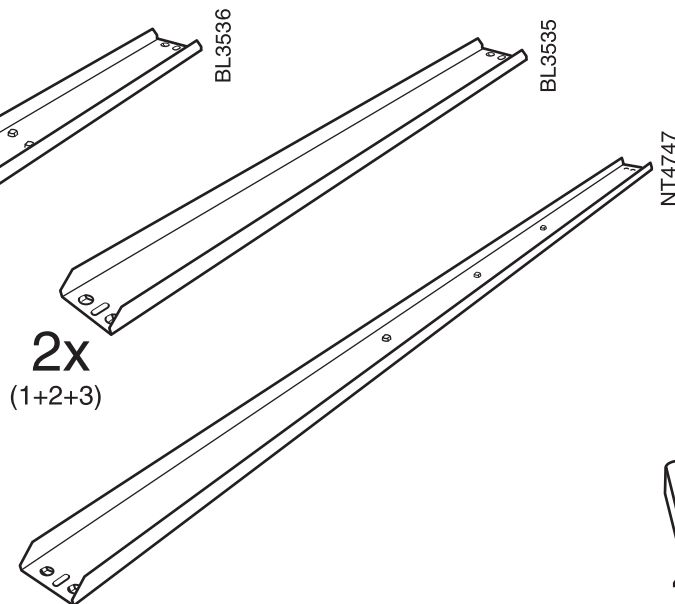
BL6565

1x  
(1+2)



BL3536

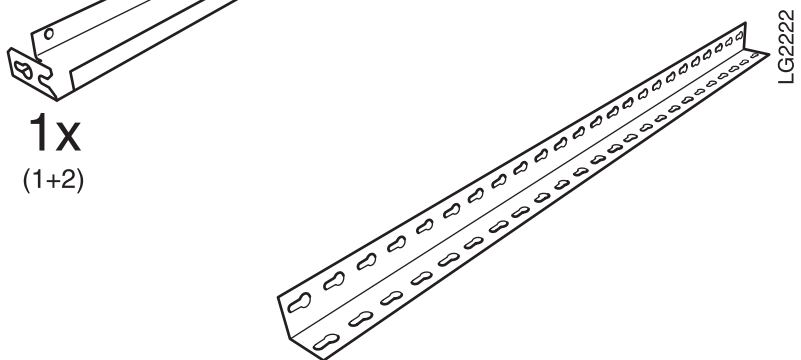
2x  
(1+2+3)



BL3535

2x  
(1+2+3)

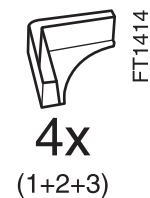
NT4747



LG2222

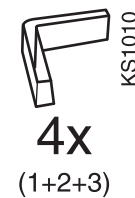
4x  
(1+2+3)

2x (1)  
3x (2)  
4x (3)



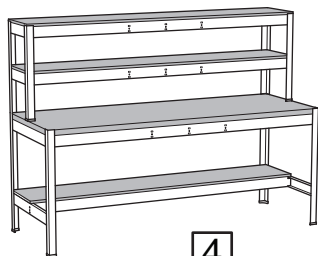
FT1414

4x  
(1+2+3)







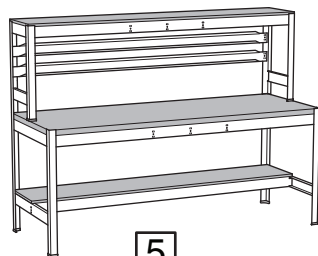
KS1010

4x  
(1+2+3)




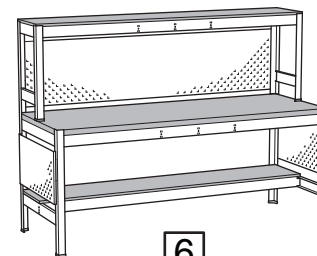
4

-  BS2020
-  BS2020
-  BS4040
-  BS2020






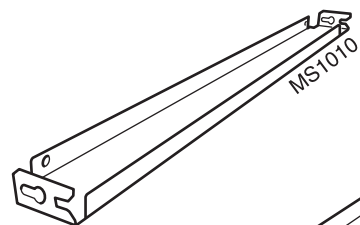
5

-  BS2020
-  BS4040
-  BS2020

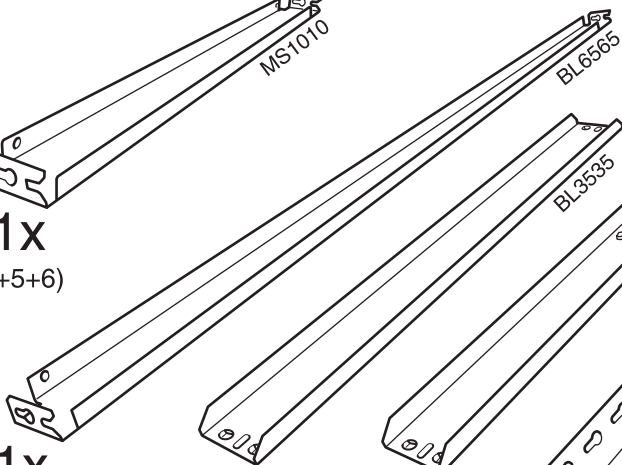


6

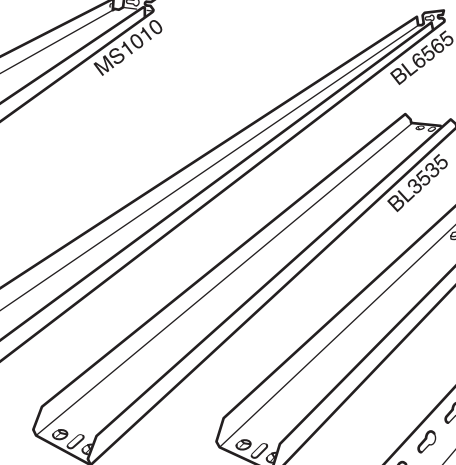
-  BS2020
-  BS4040
-  BS2020



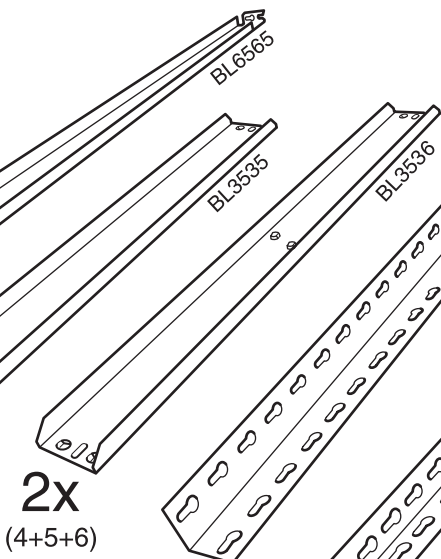
1x  
(4+5+6)



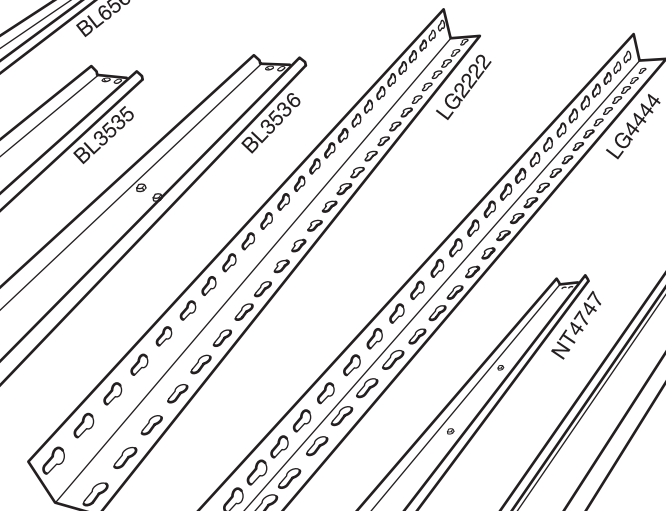
1x  
(4+5+6)



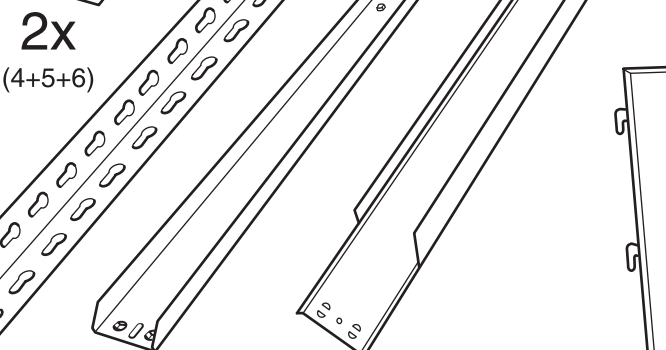
2x  
(4+5+6)



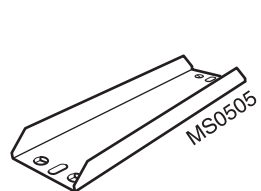
2x  
(4+5+6)



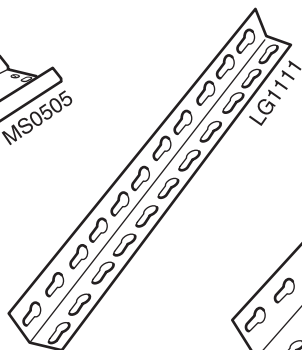
2x  
(4+5+6)



7x (4)  
5x (5+6)



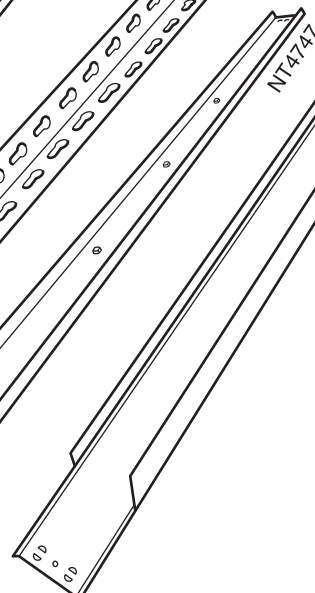
4x  
(4+5+6)



2x  
(4+5+6)



2x  
(4+5+6)

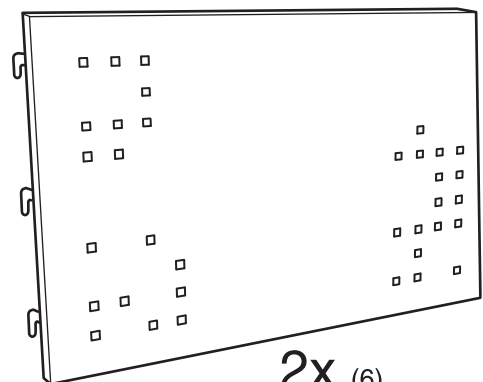


2x (5)

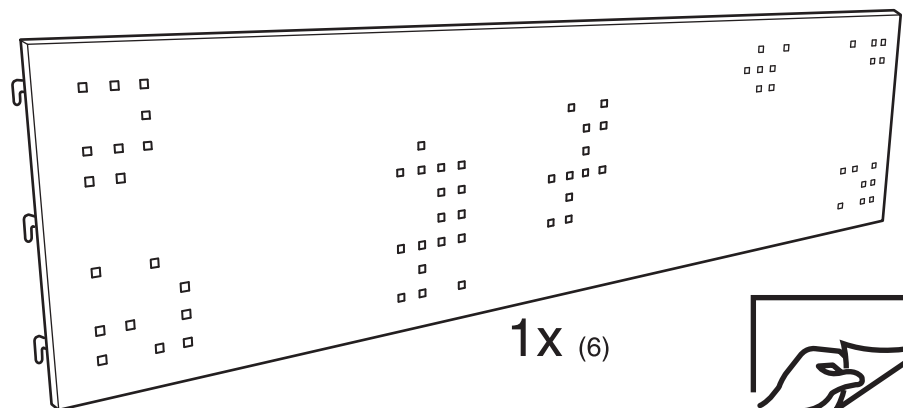
6x  
(4+5+6)



6x  
(4+5+6)



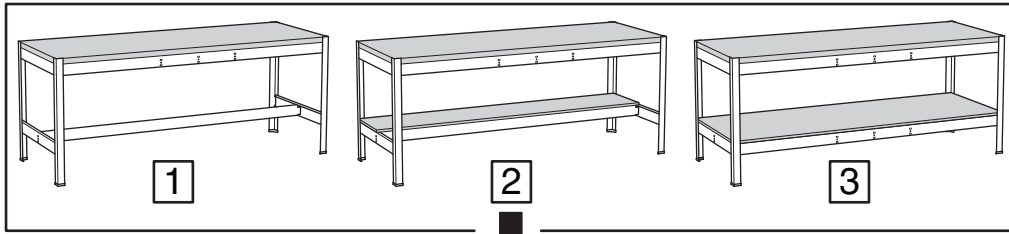
2x (6)



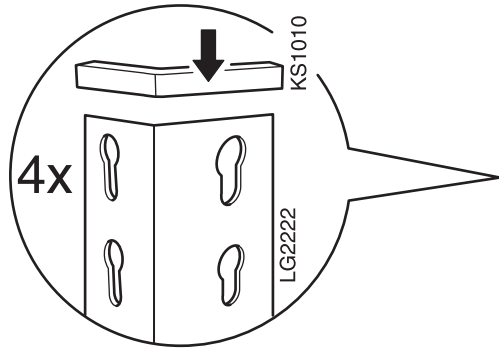
1x (6)



1



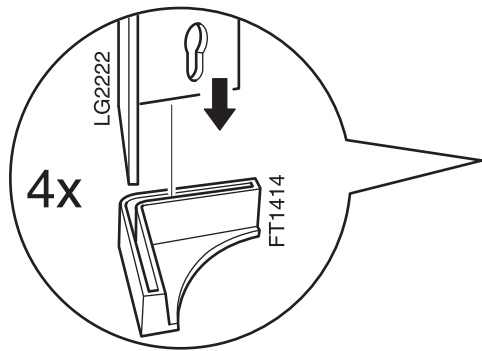
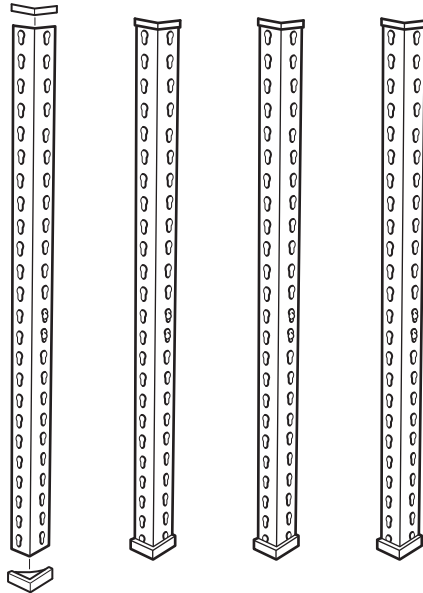
2



4x

KS1010

LG2222

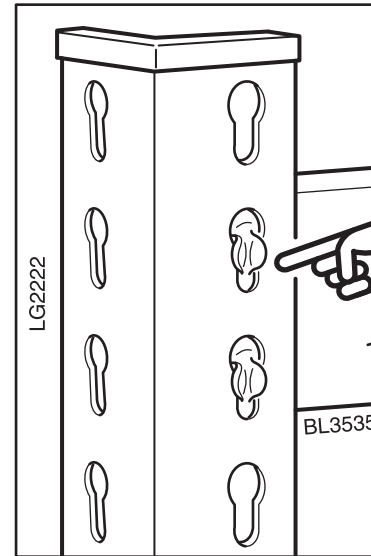


4x

LG2222

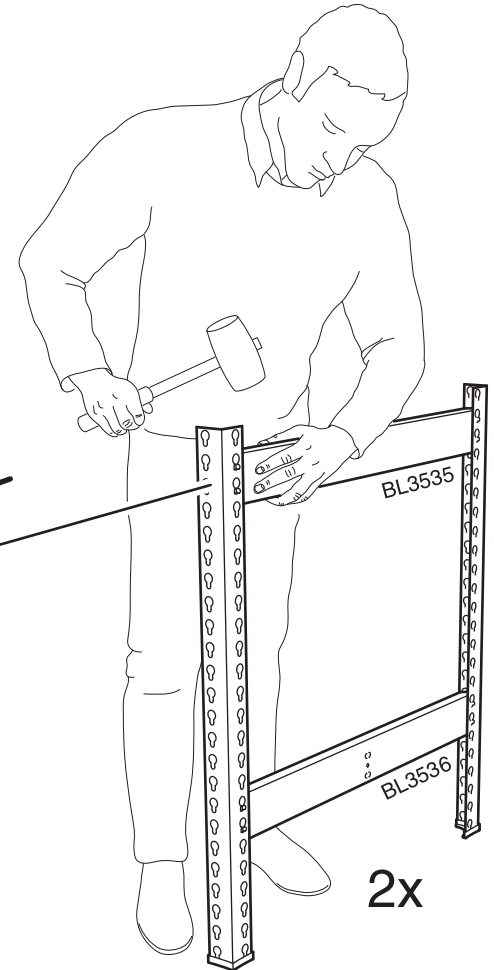
FT1414

2



LG2222

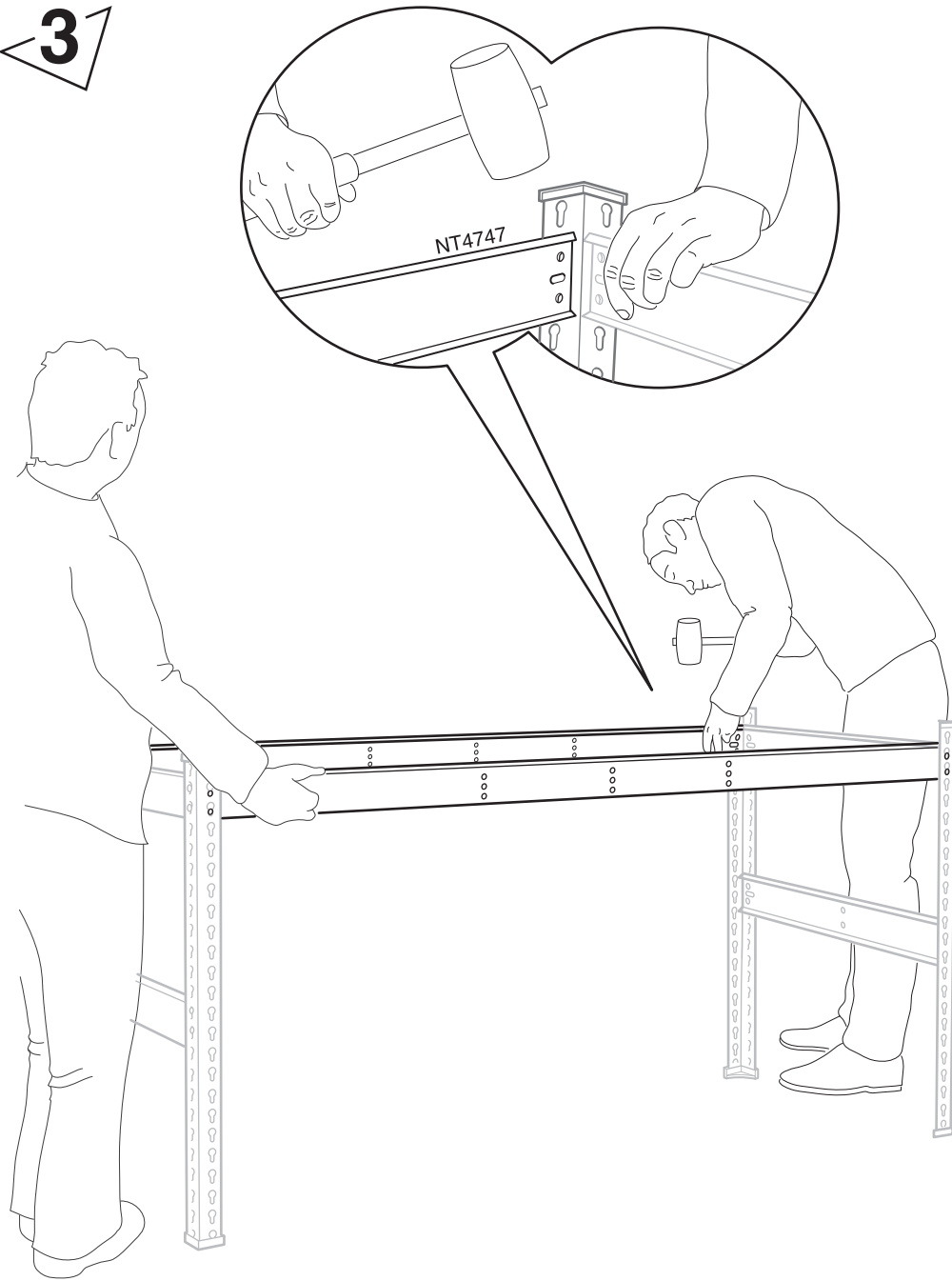
BL3535



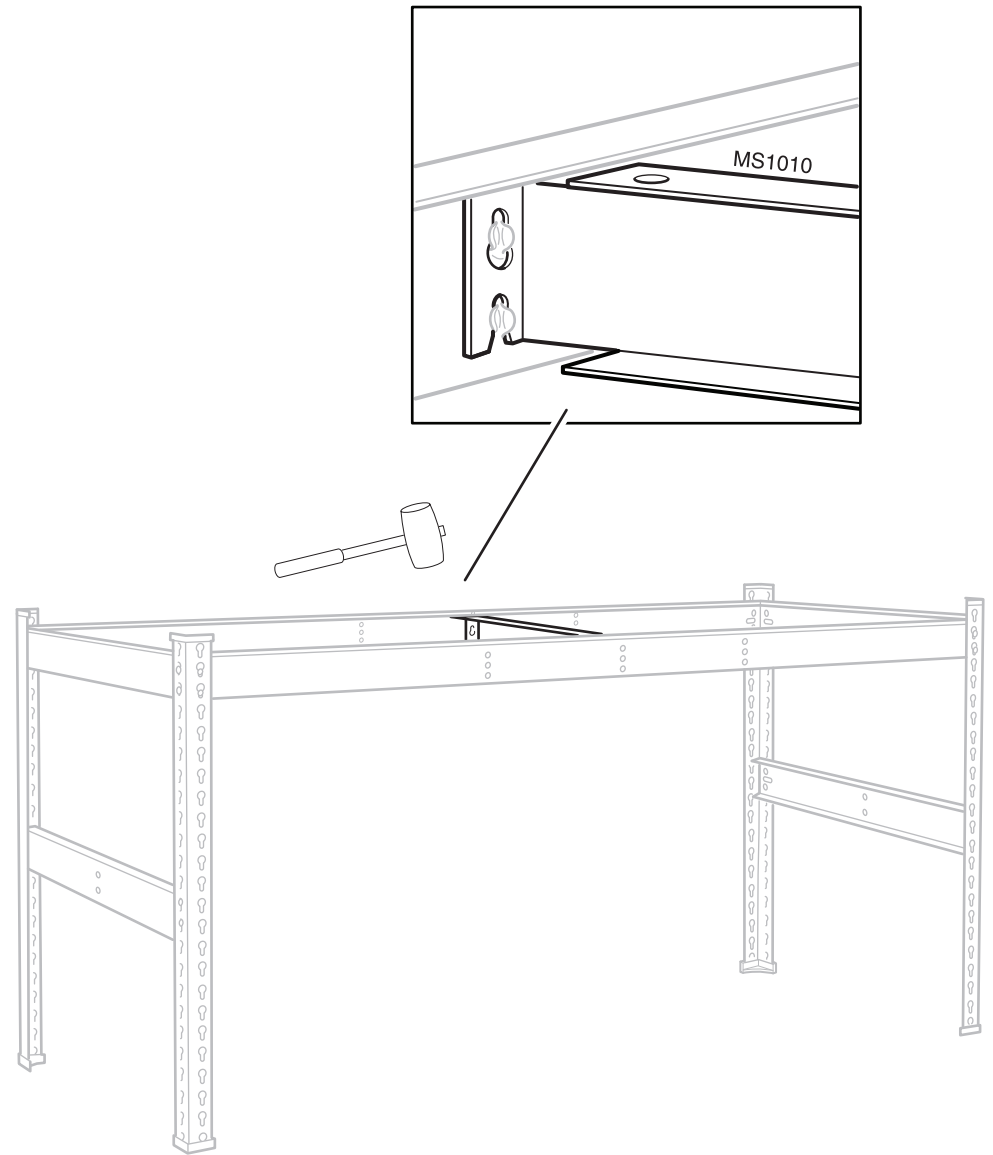
BL3535

2x

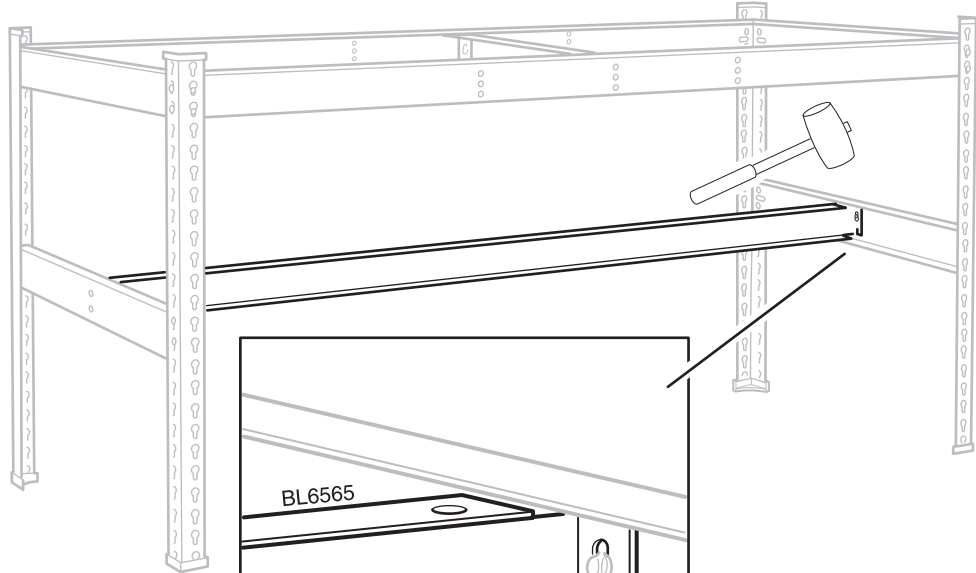
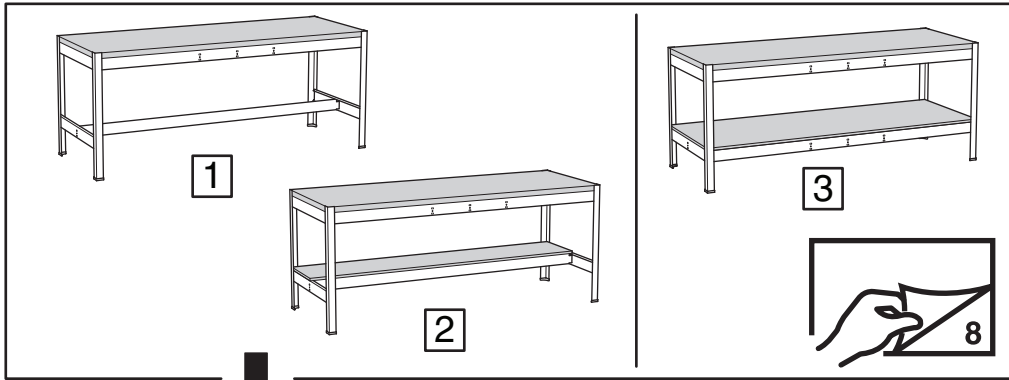
3



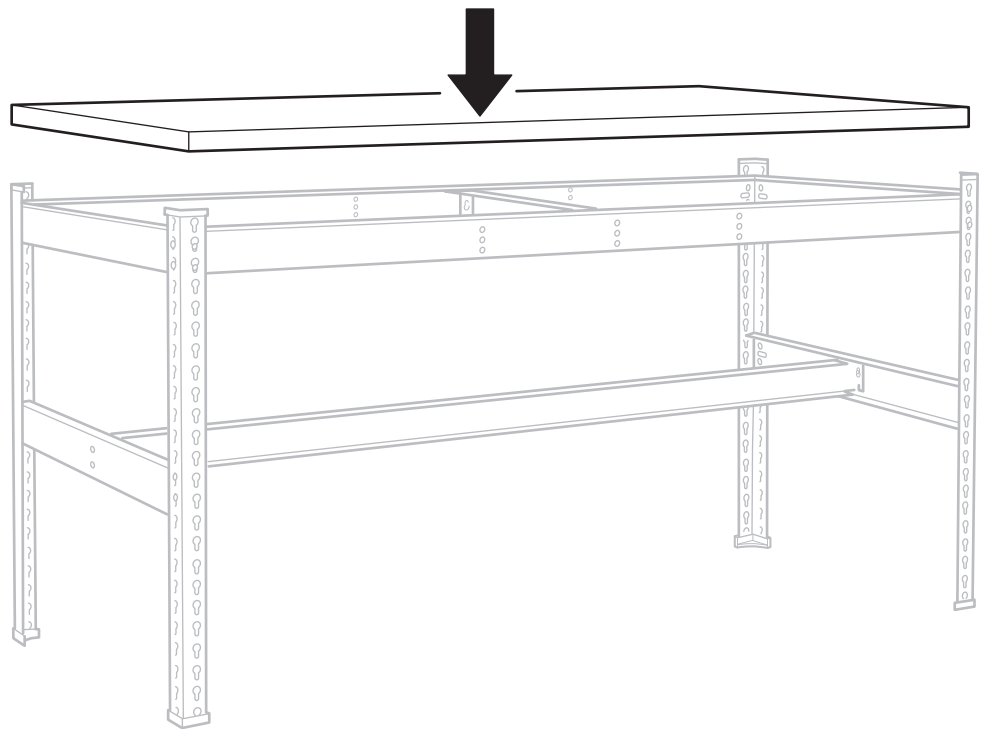
4



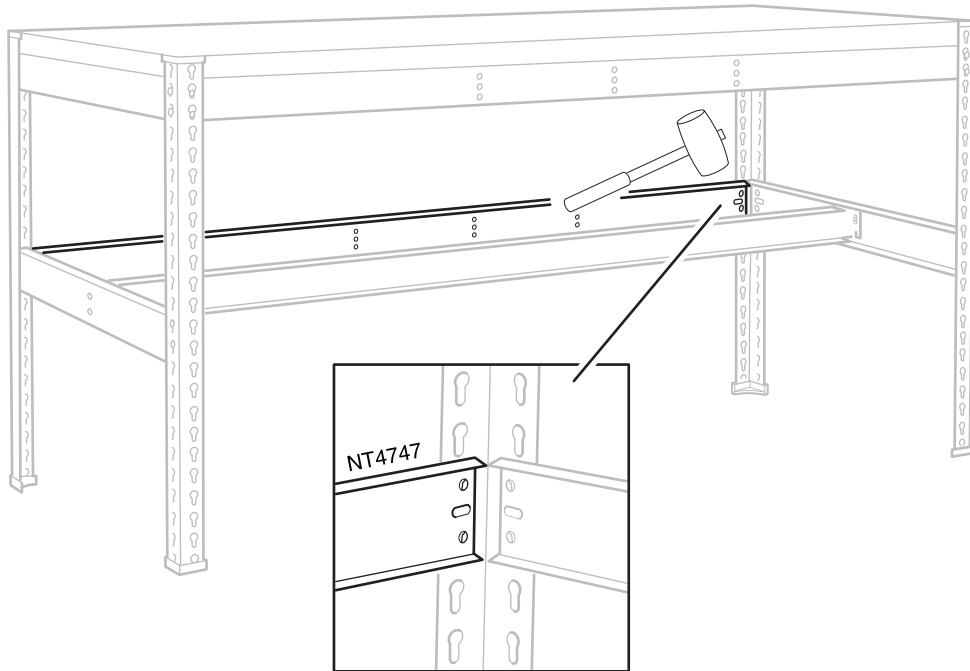
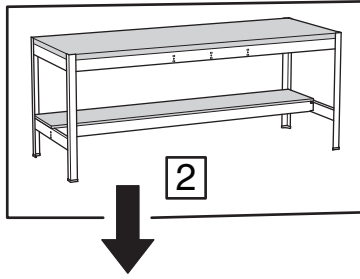
5



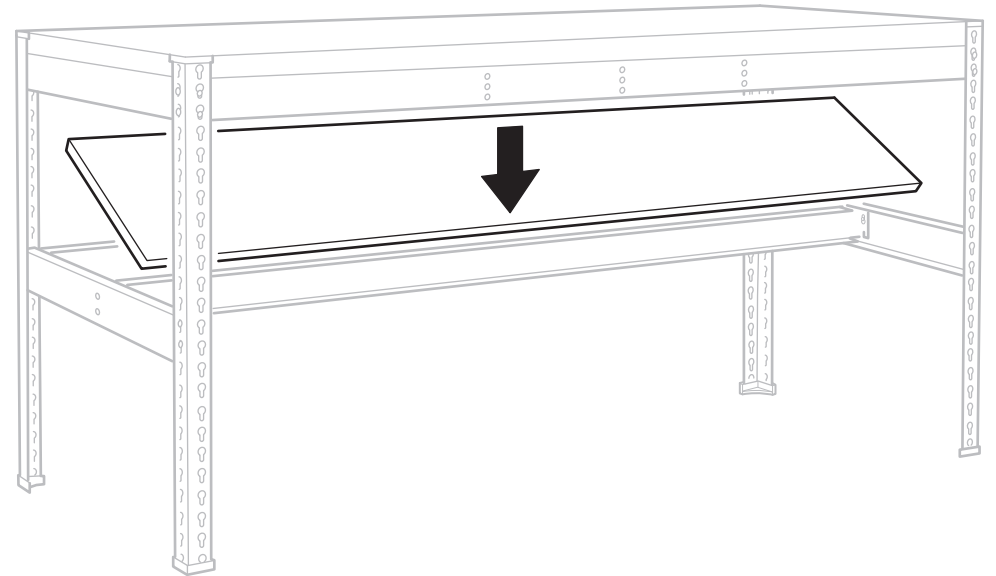
6



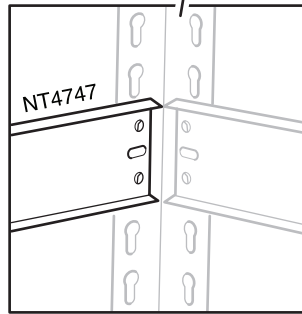
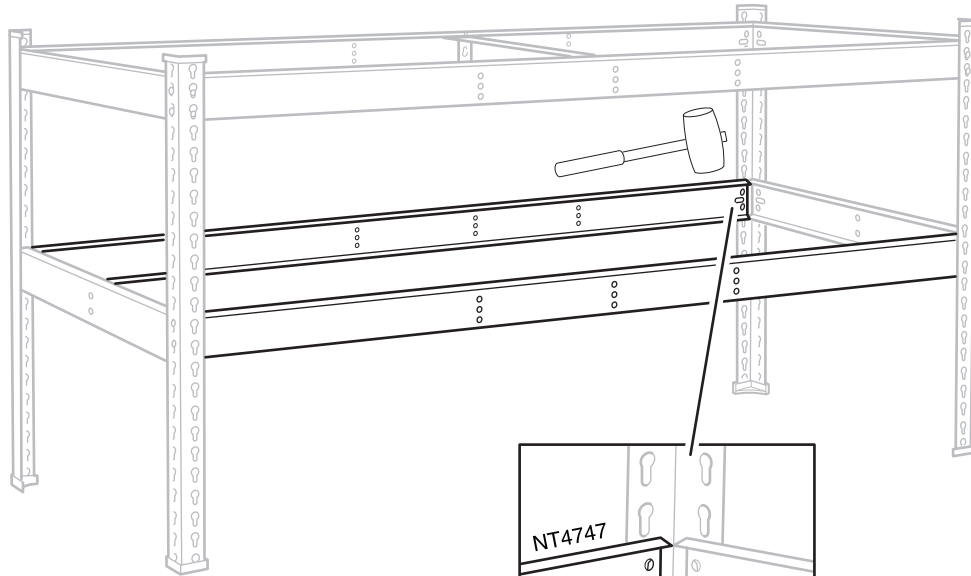
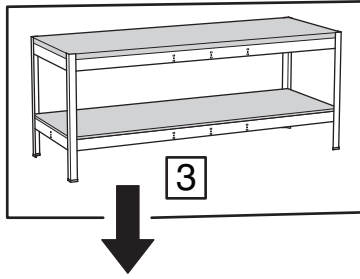
7



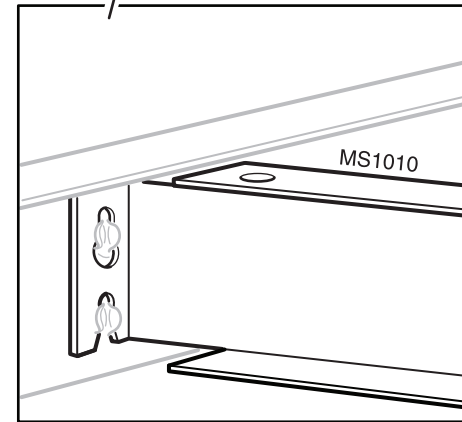
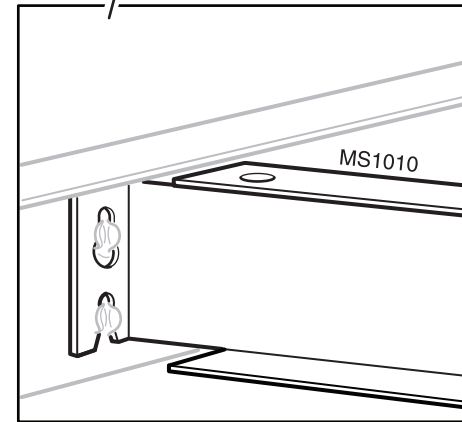
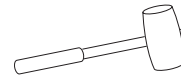
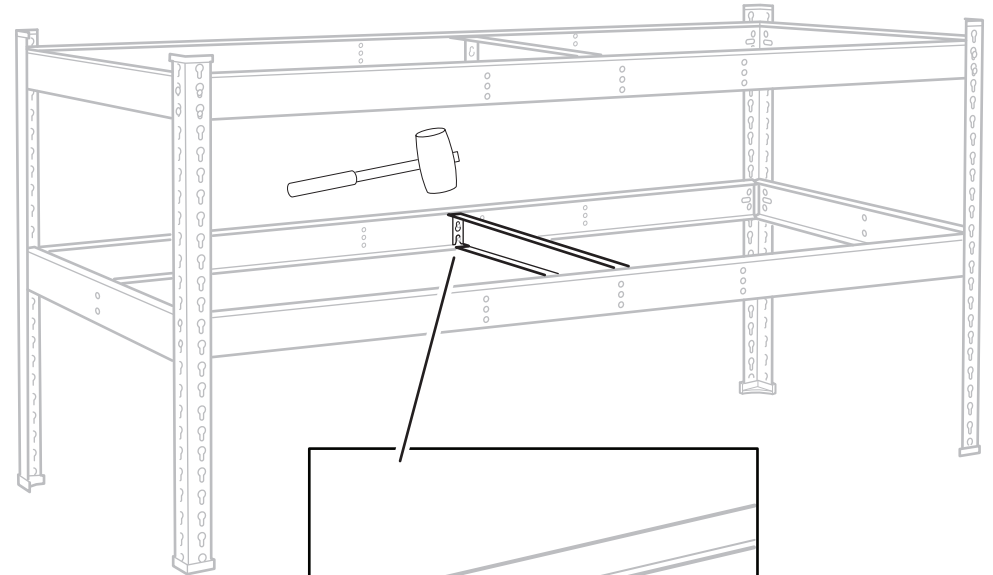
8



5

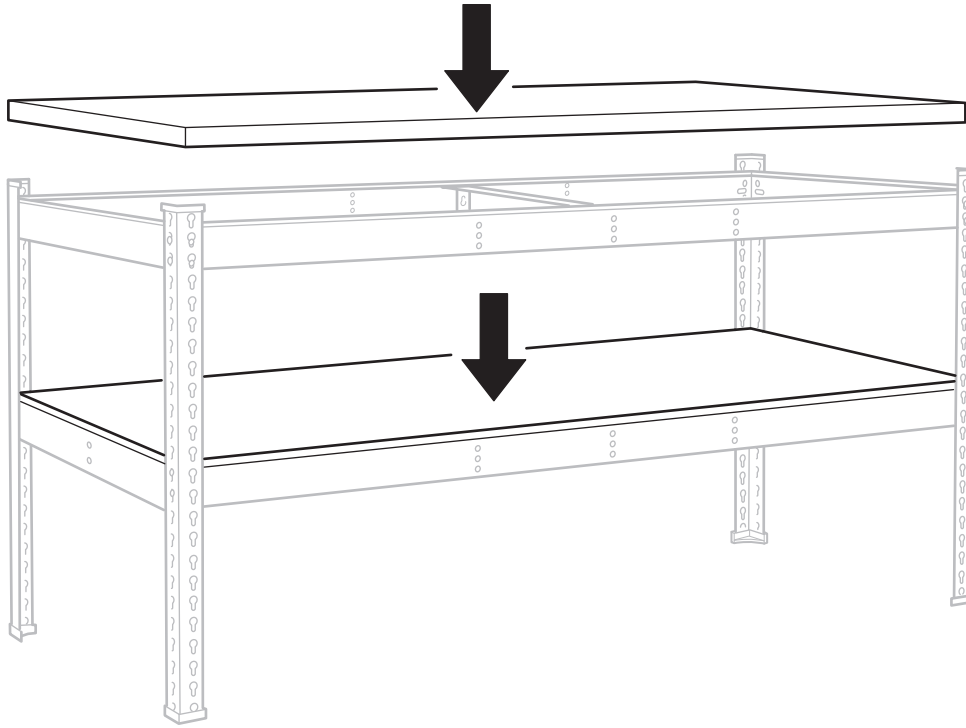


6

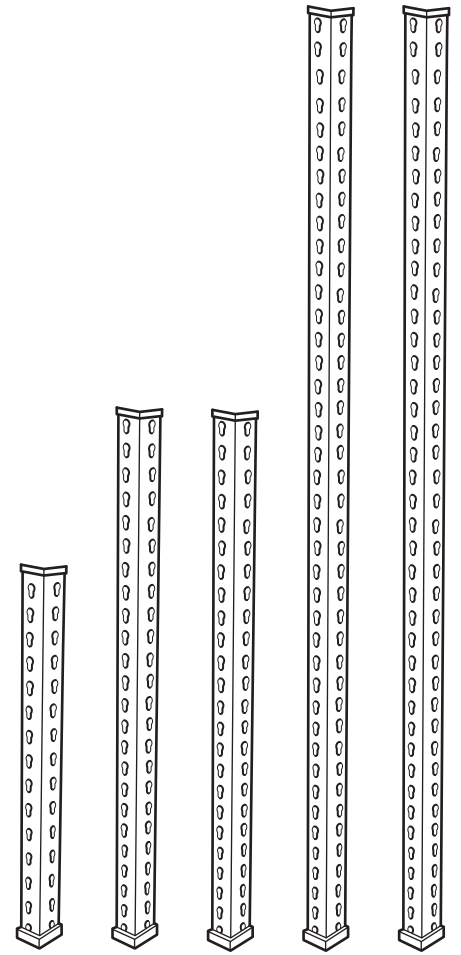
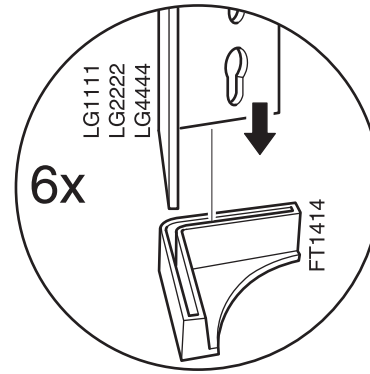
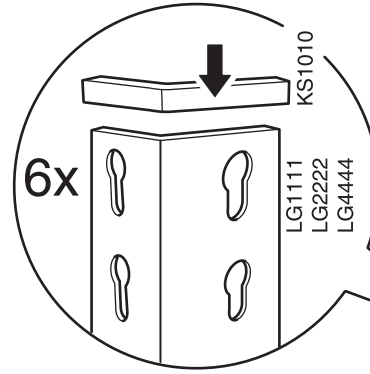




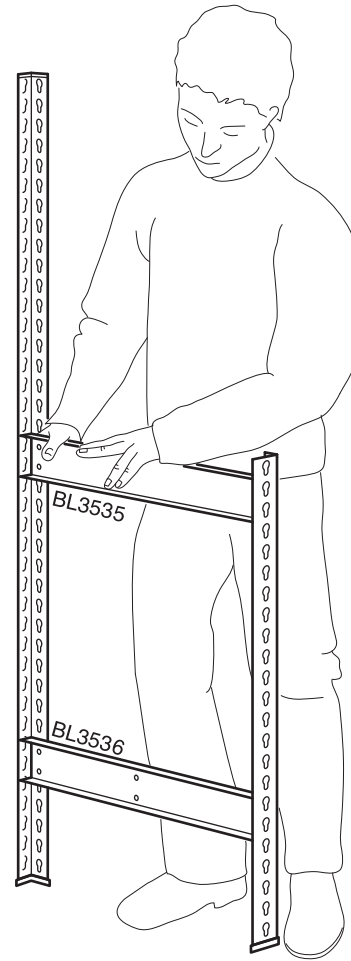
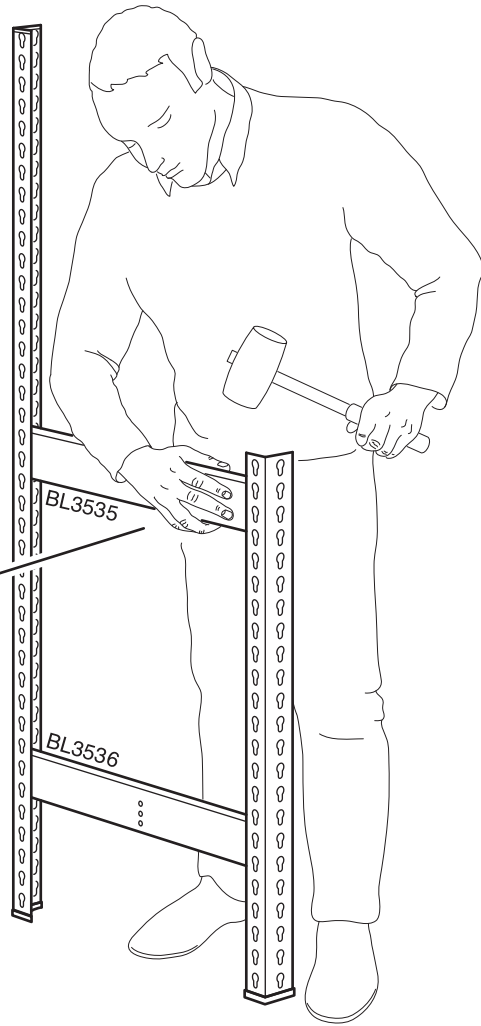
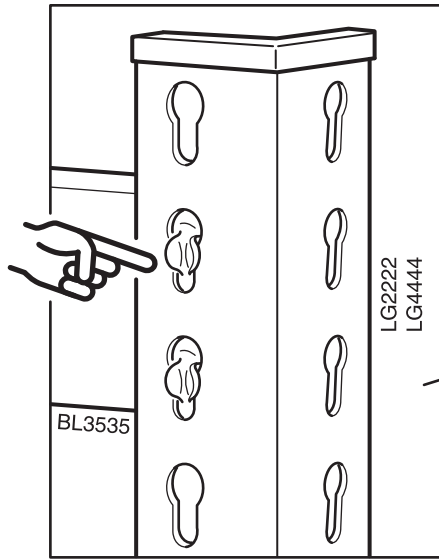
7



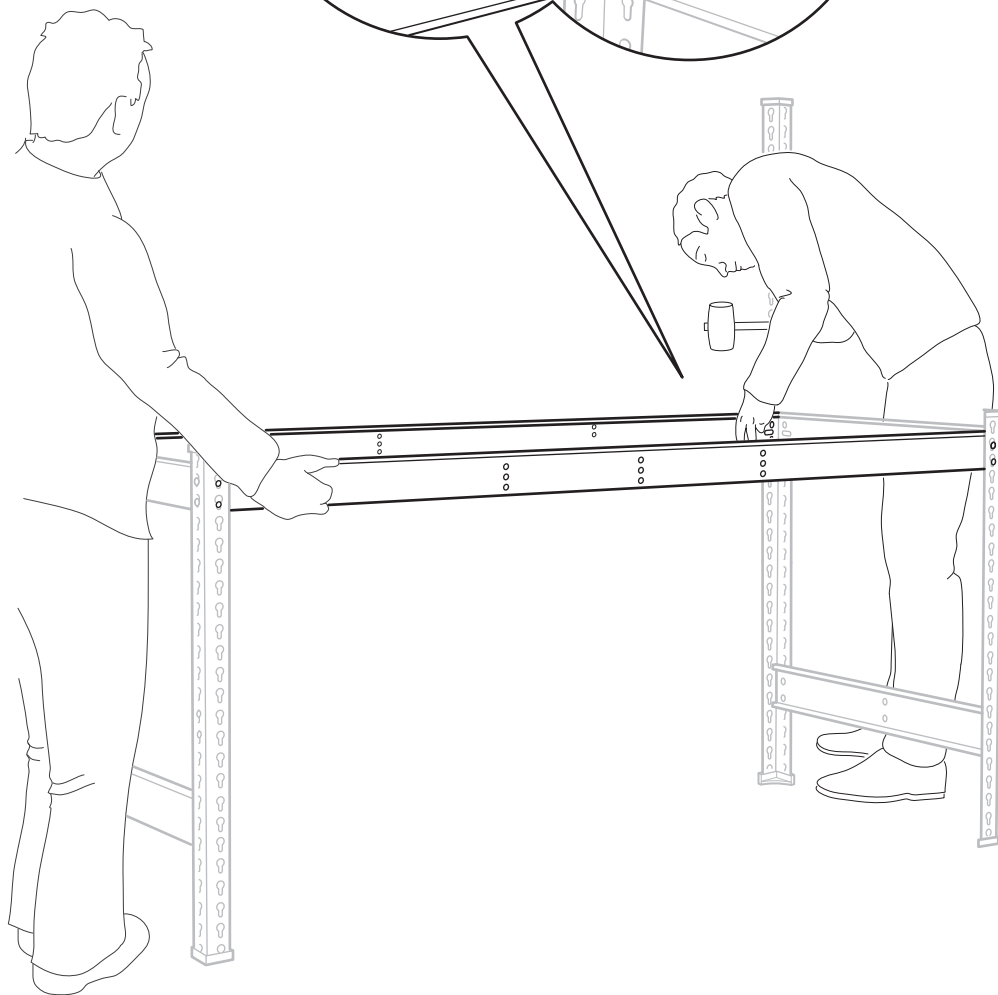
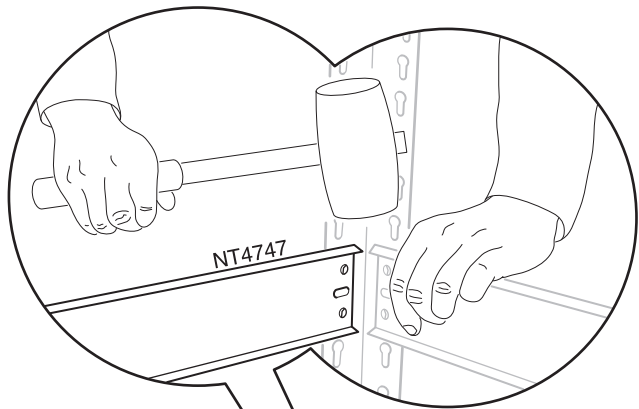
1



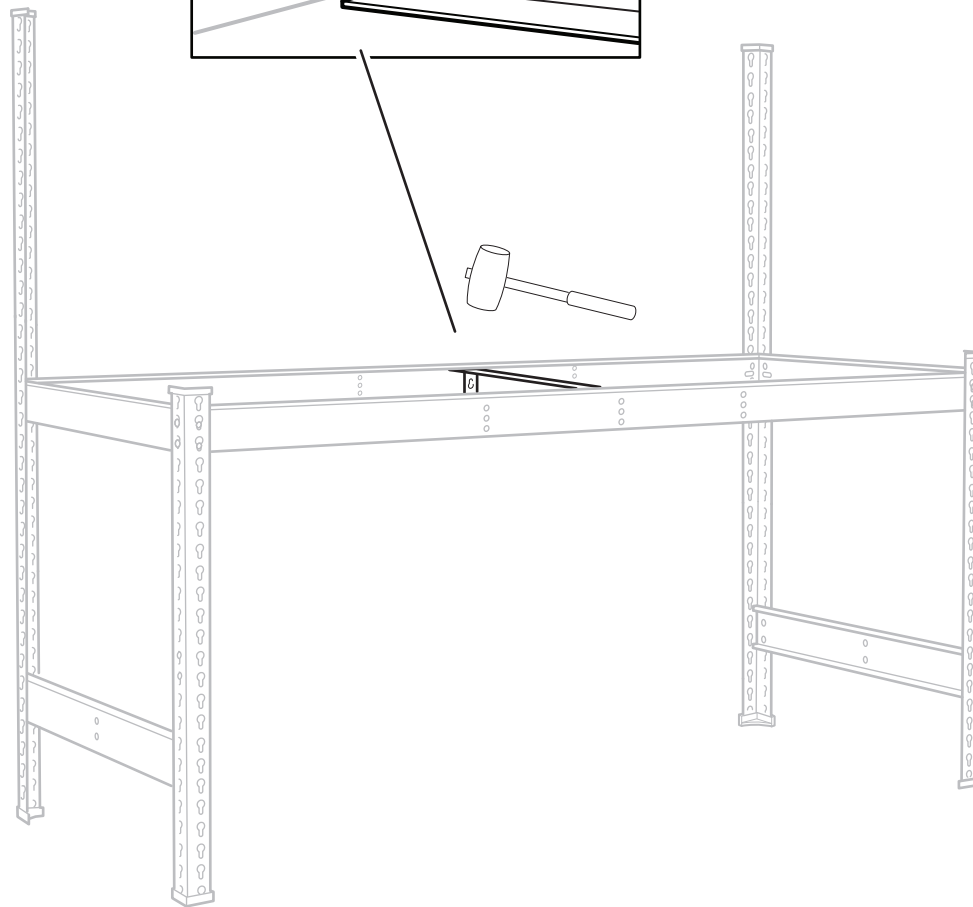
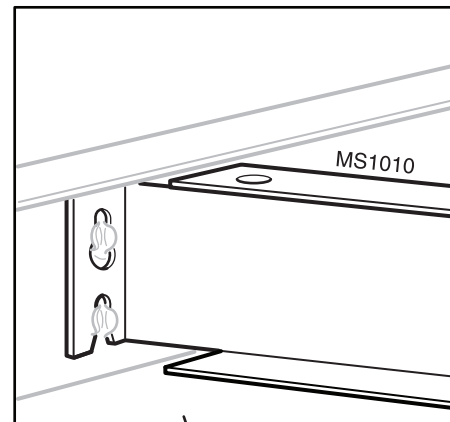
2

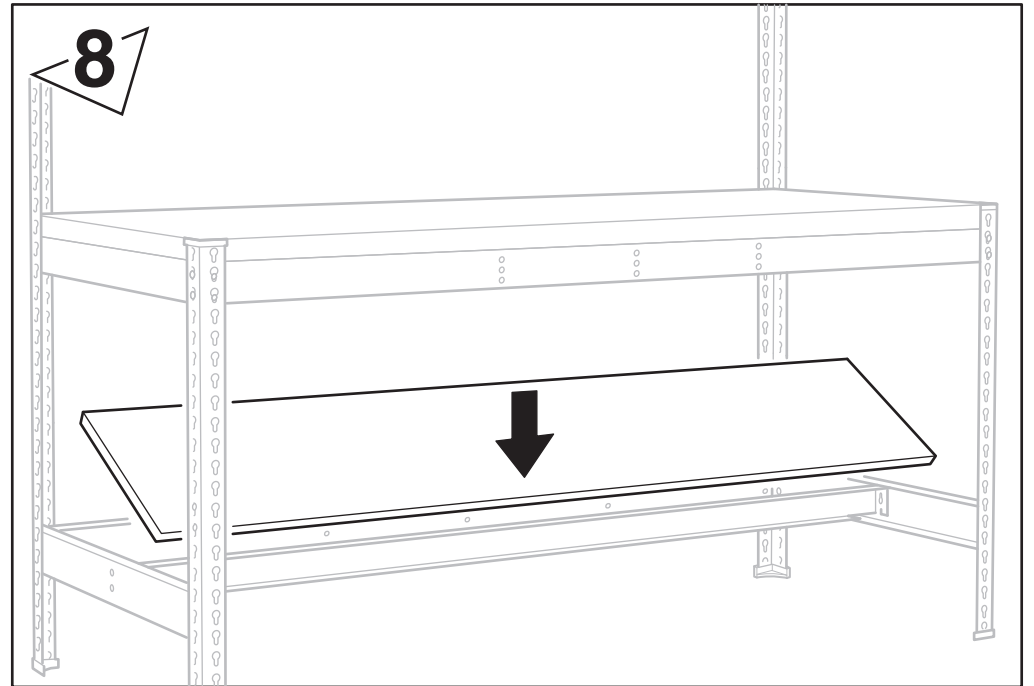
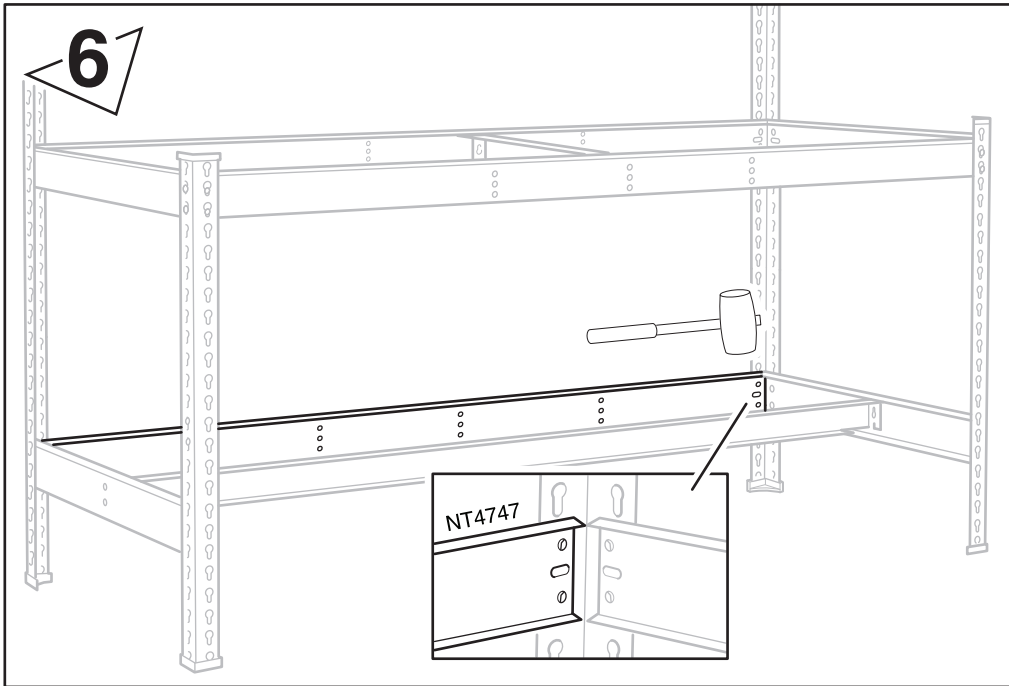
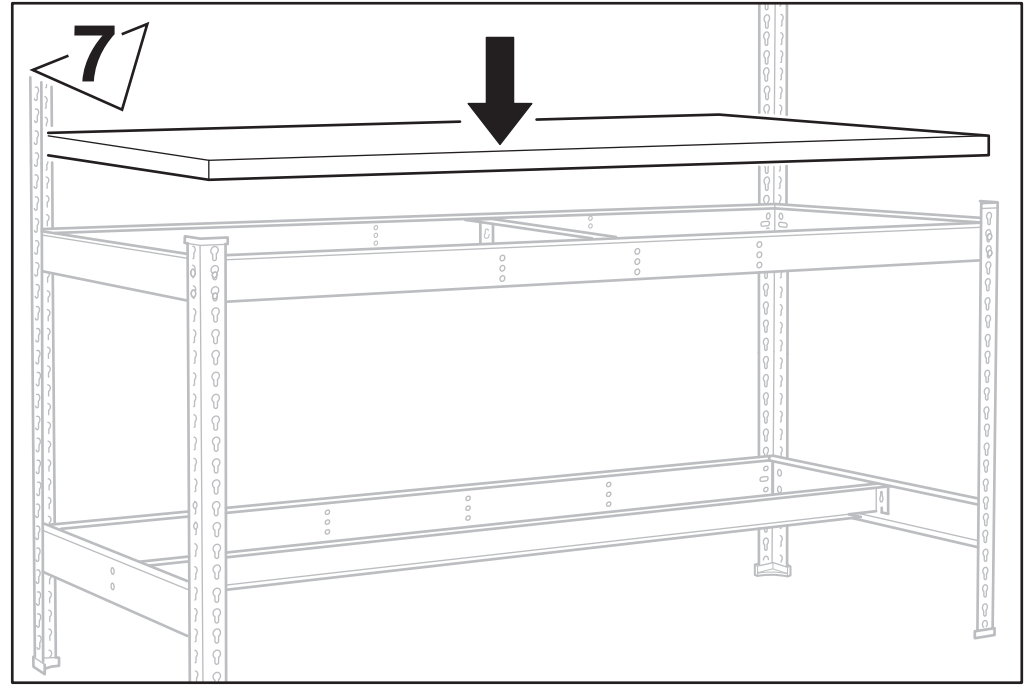
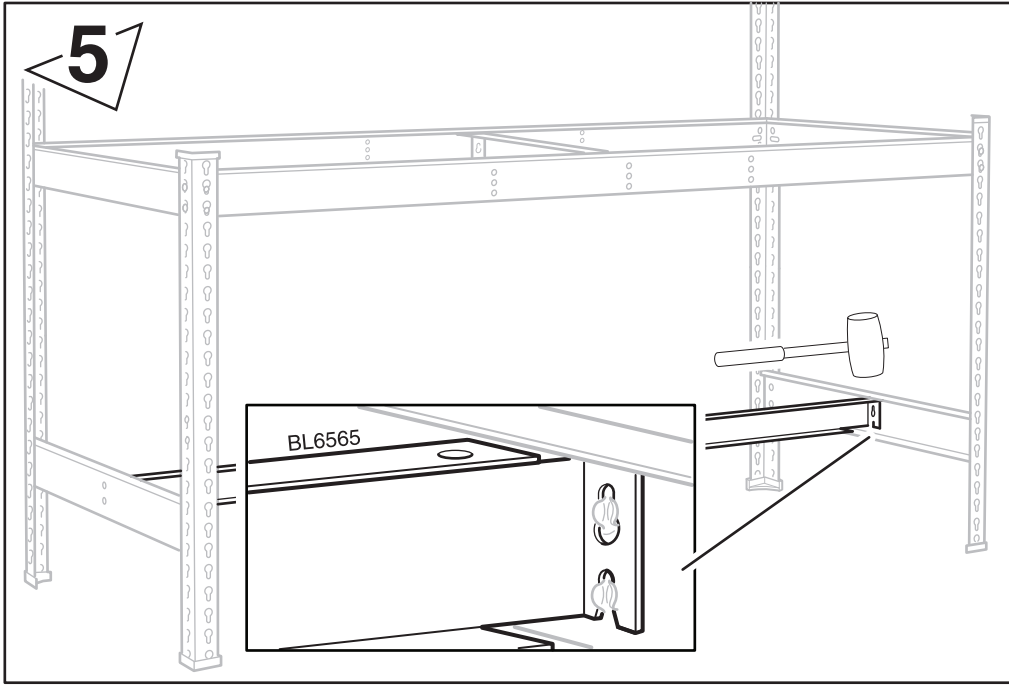


3

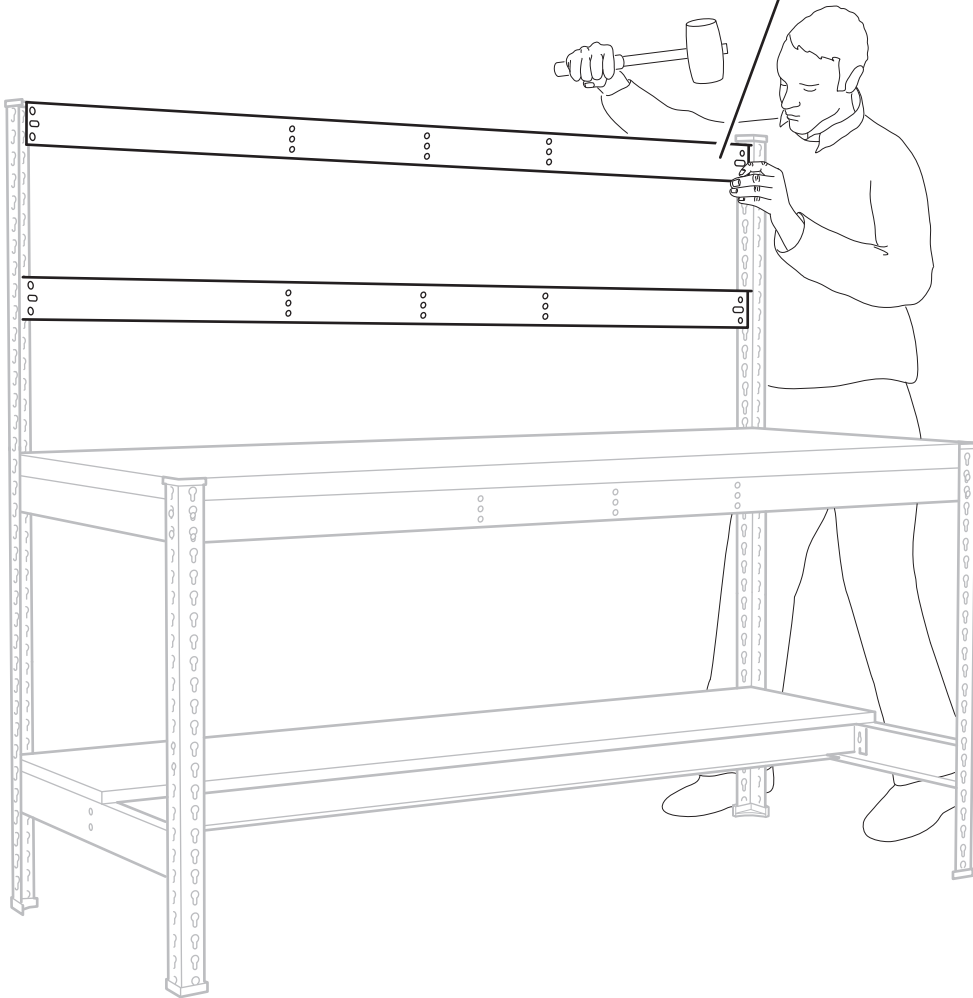
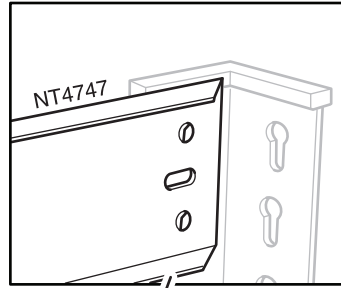
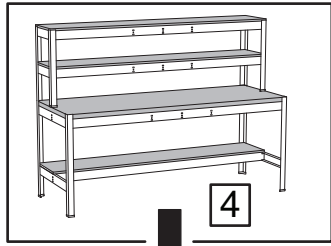


4

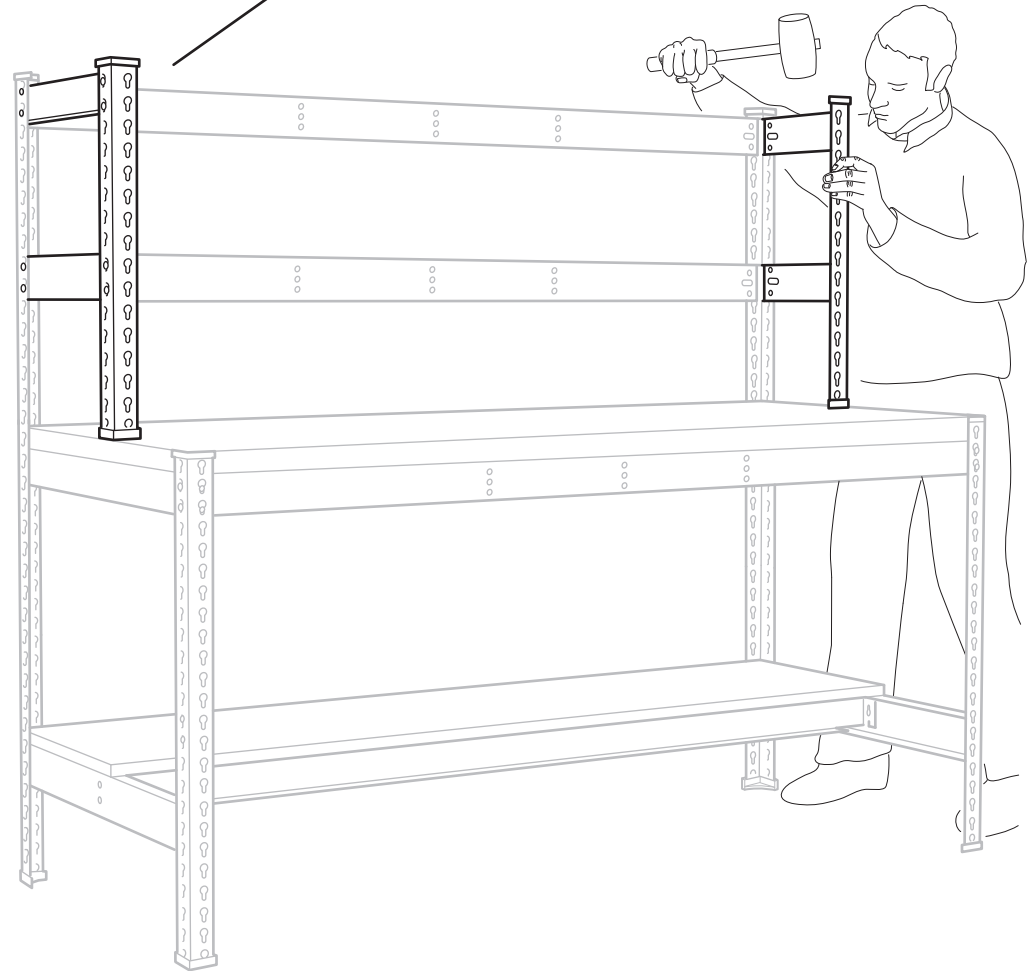
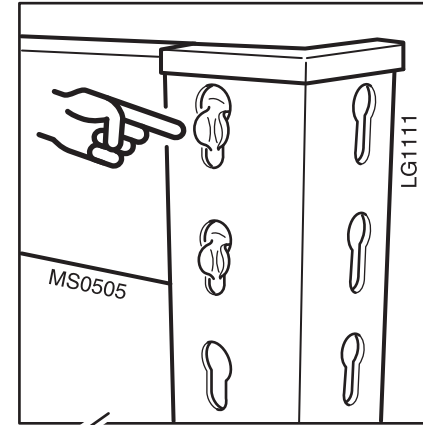




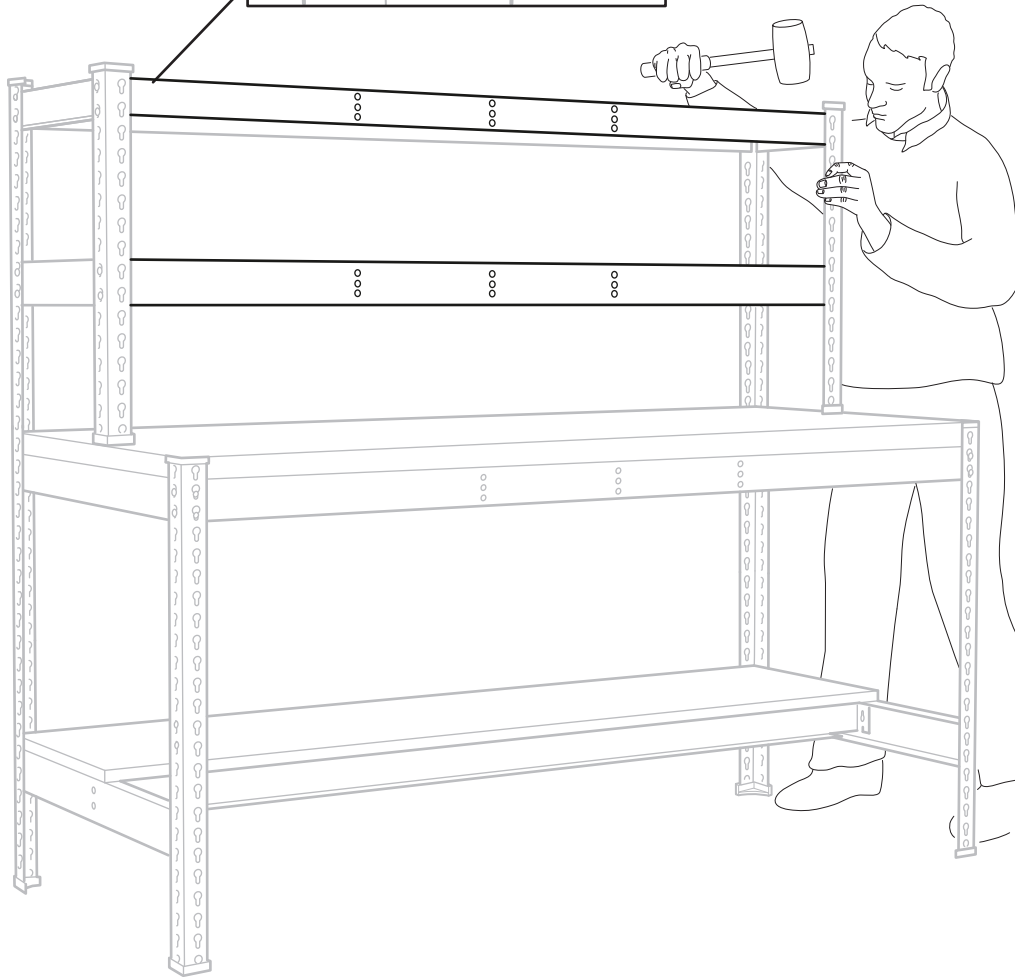
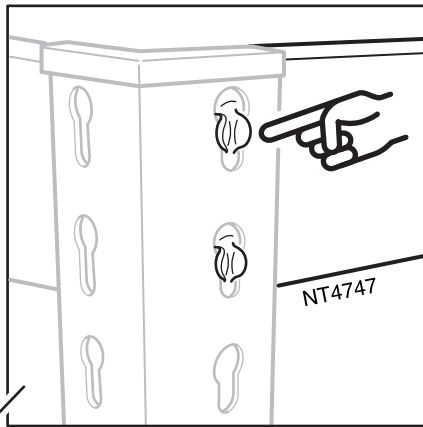
9



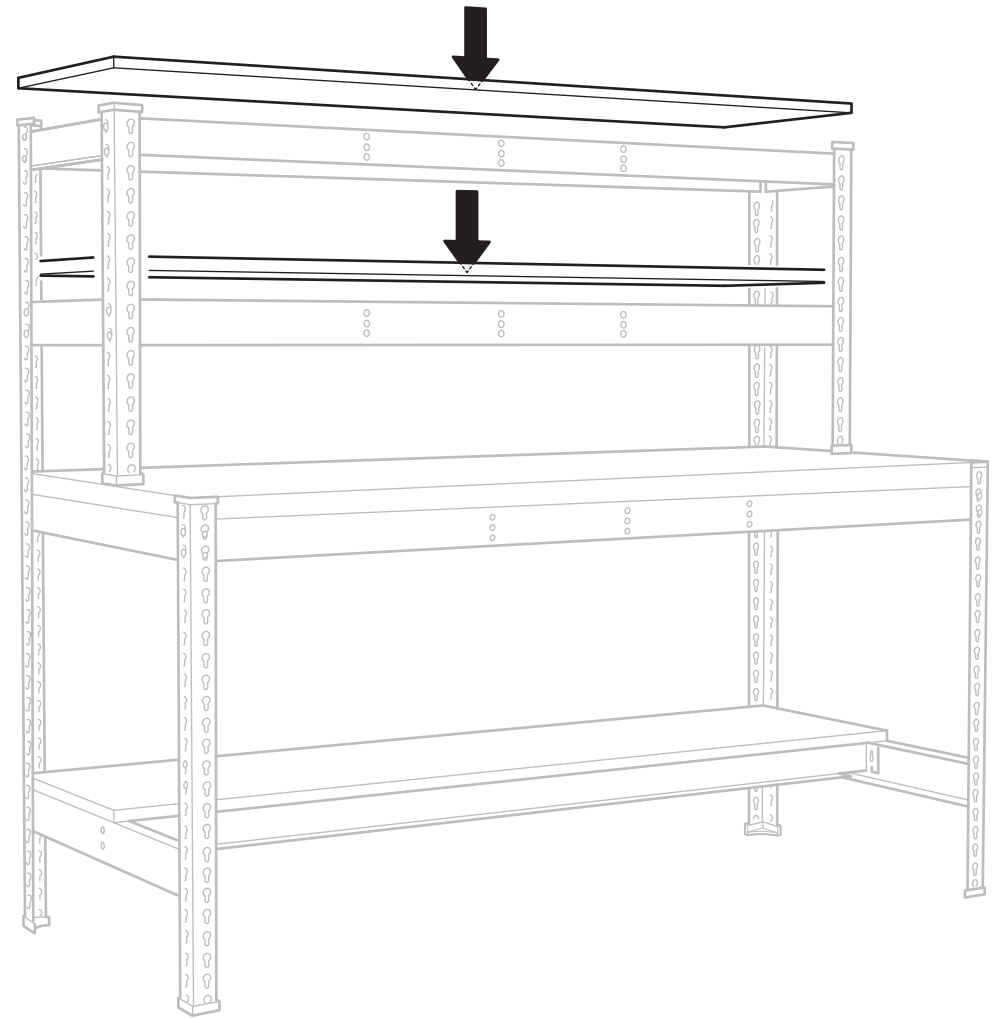
10



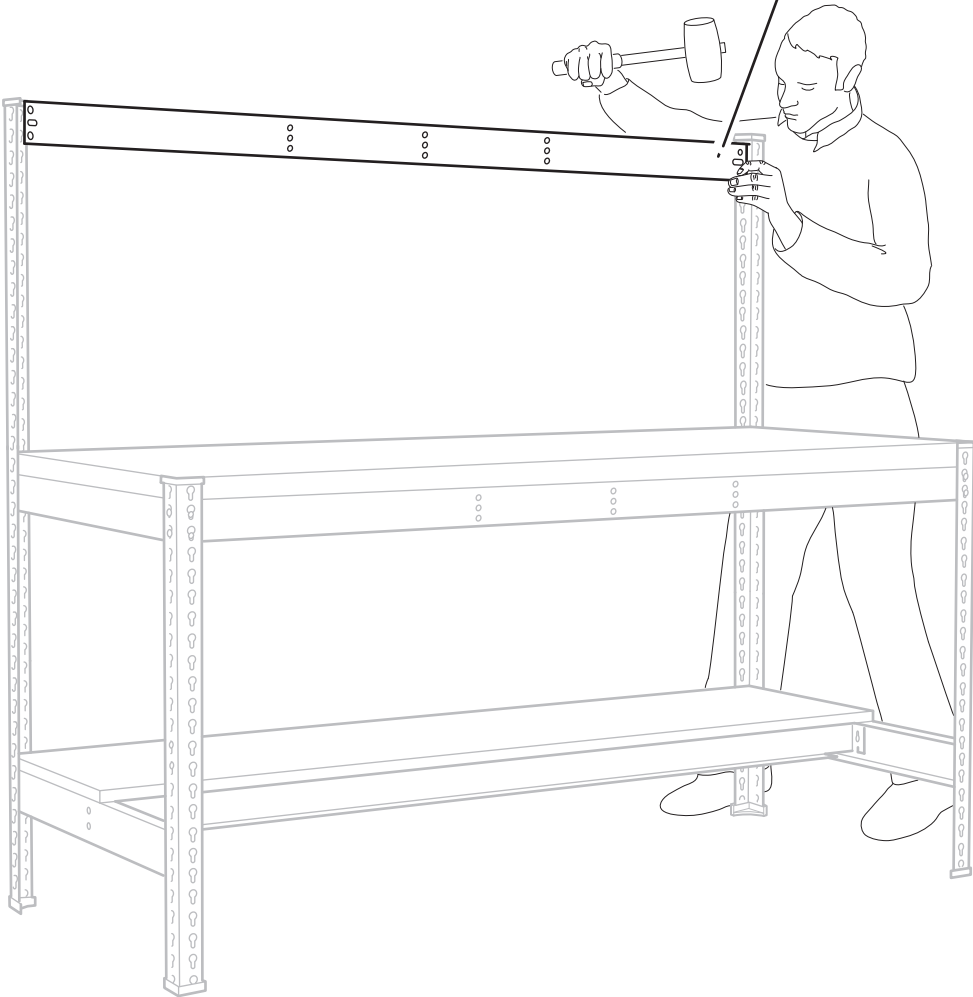
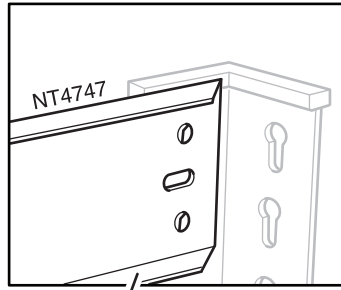
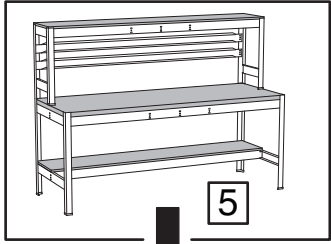
11



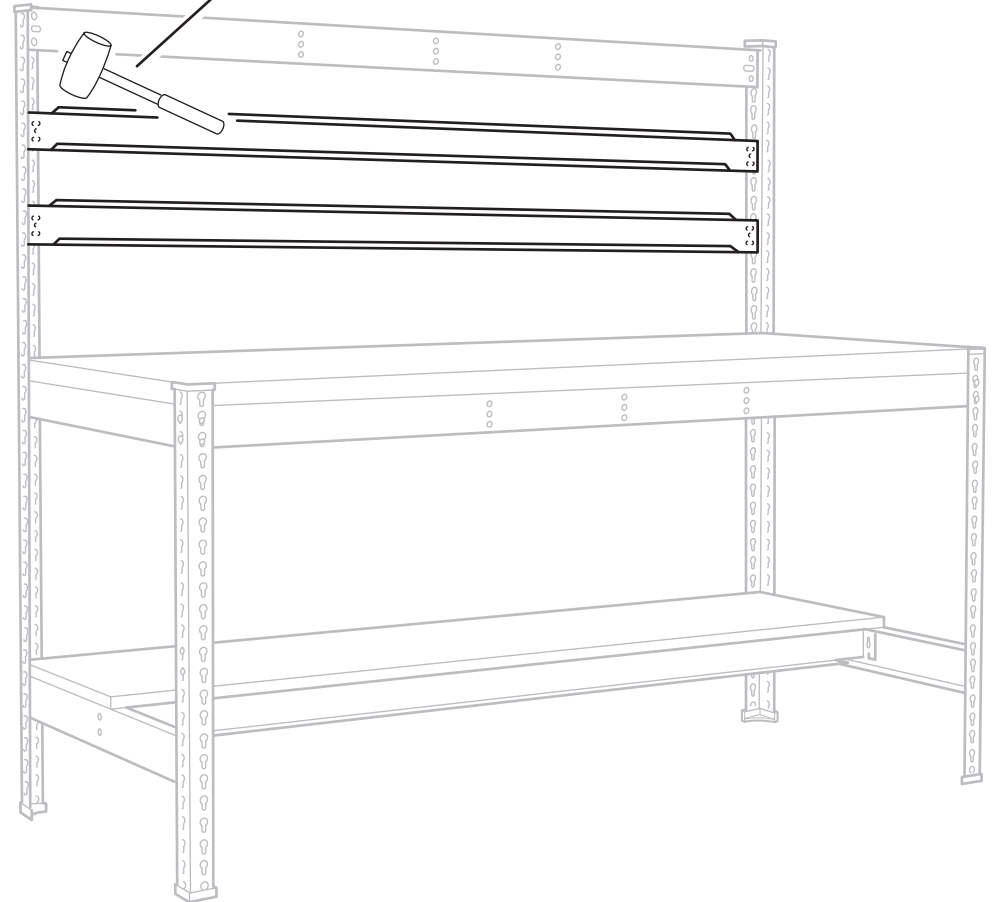
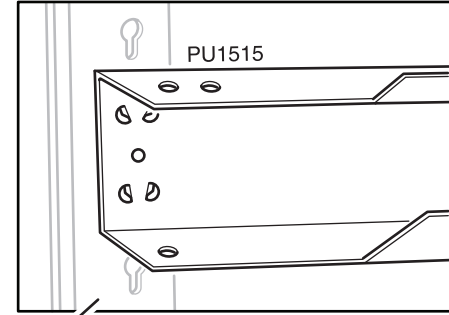
12

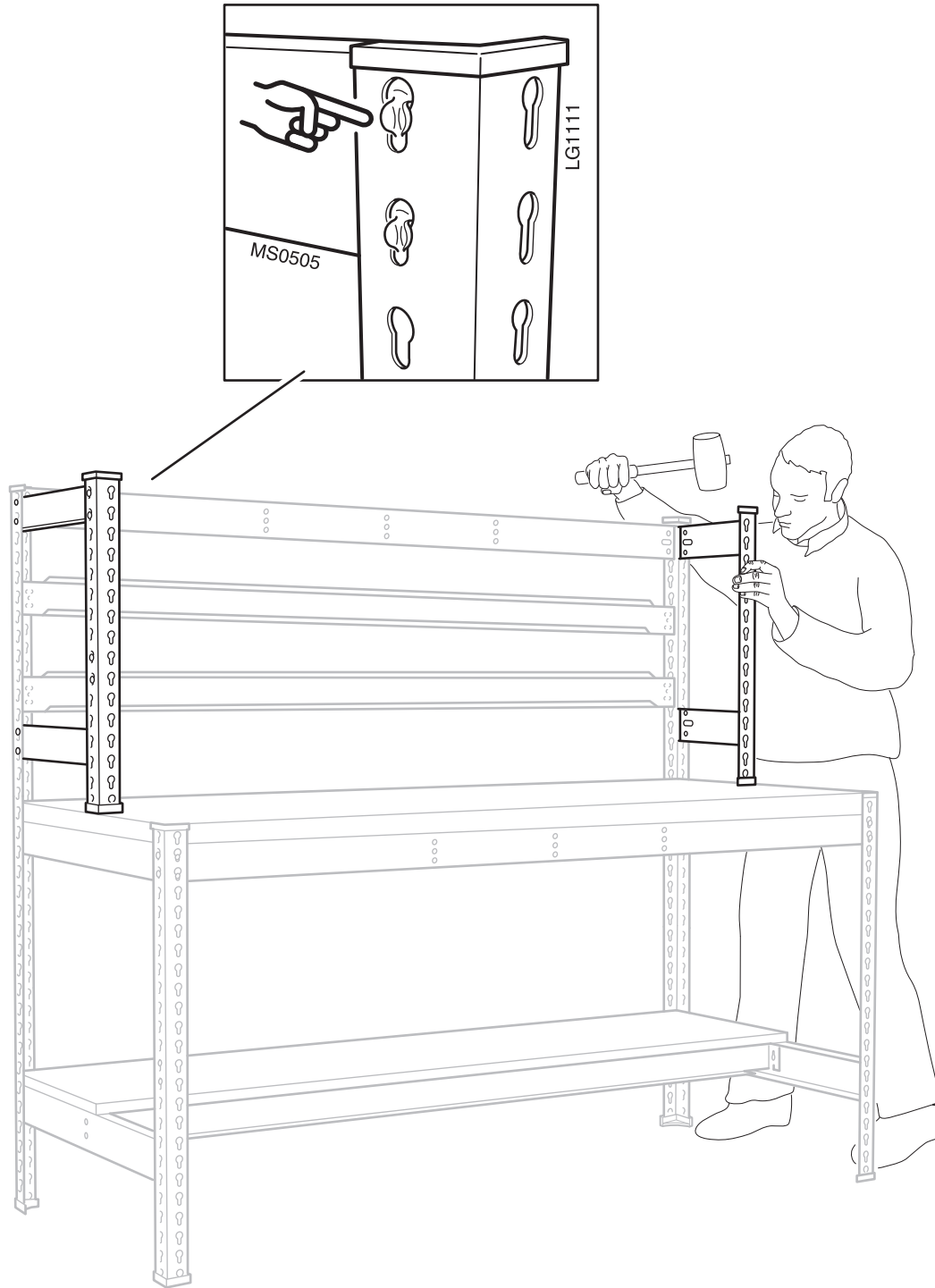


9



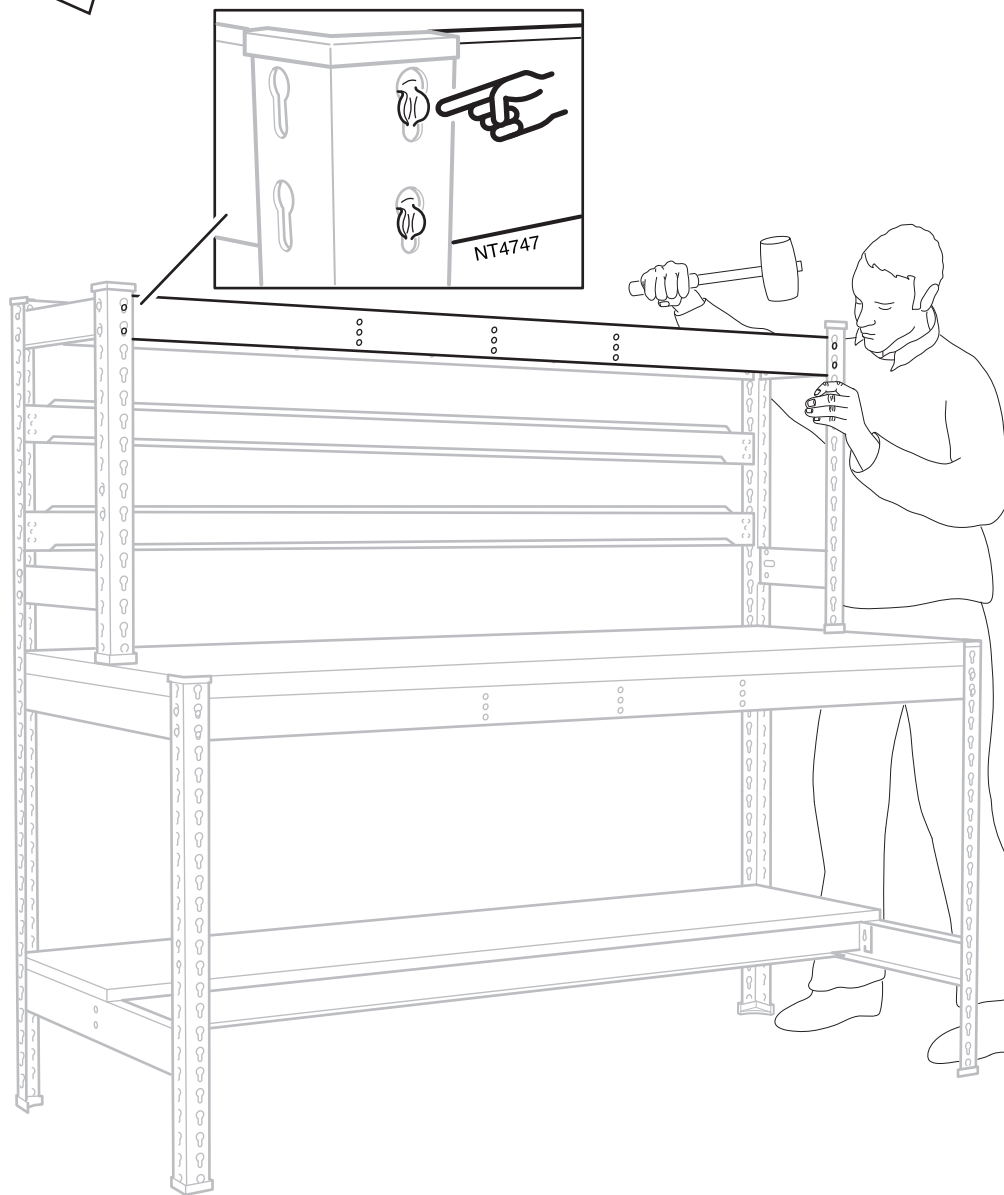
10



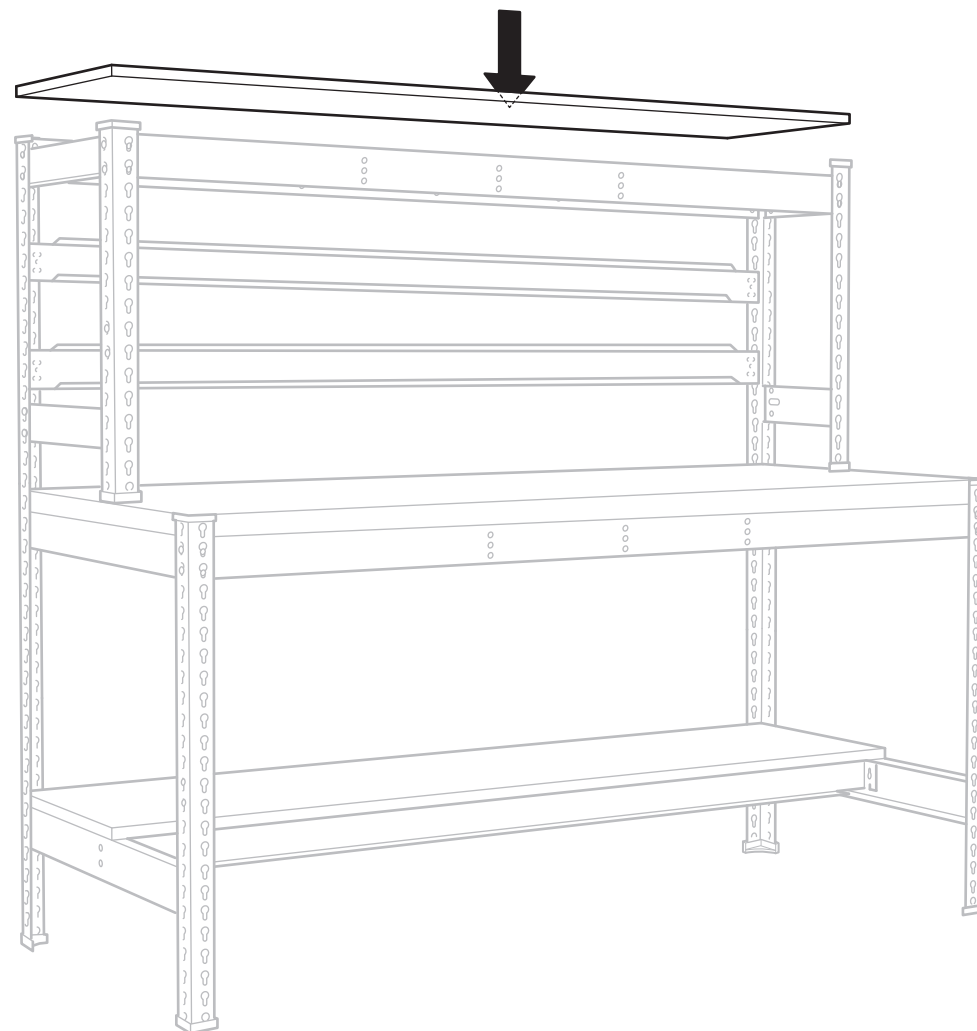




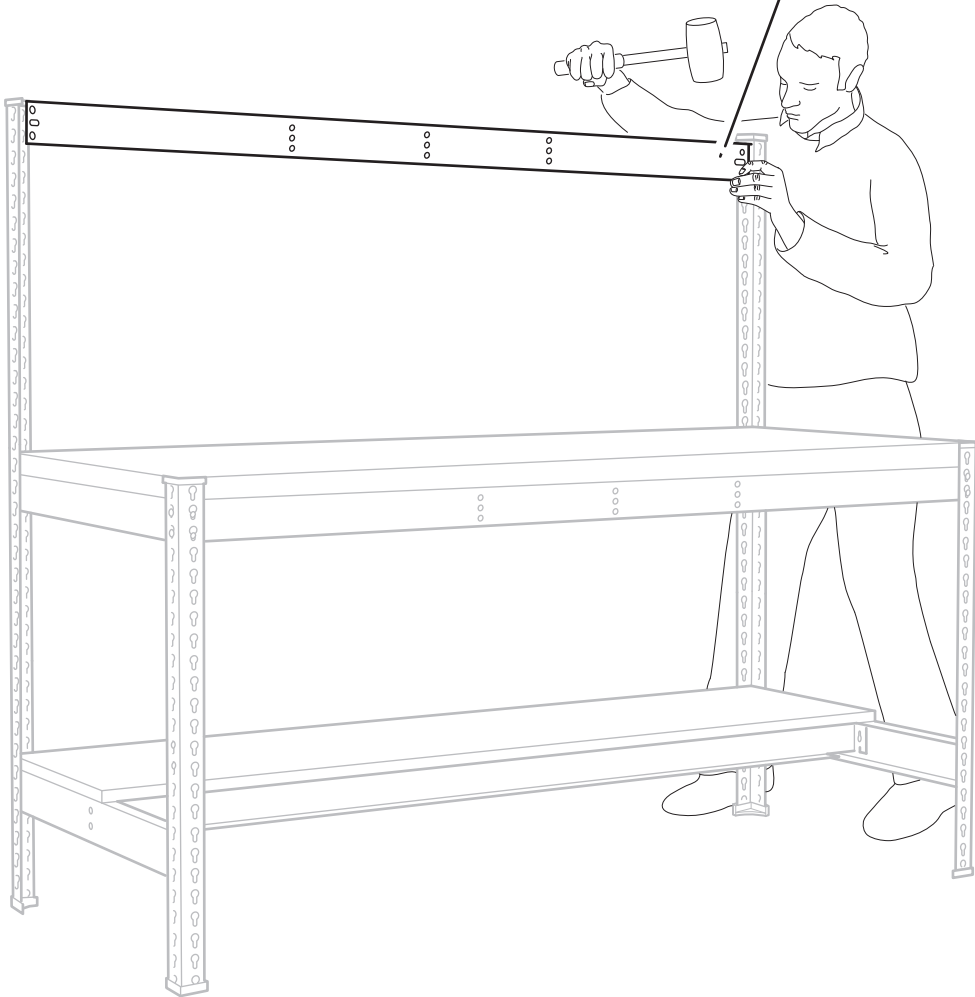
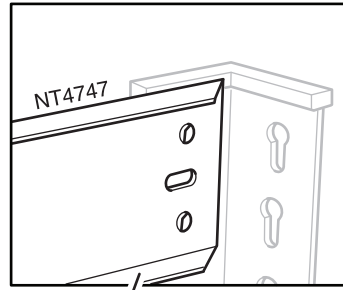
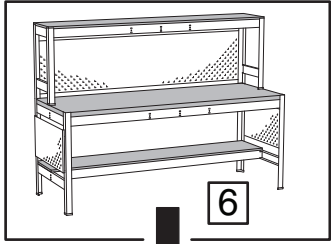
12



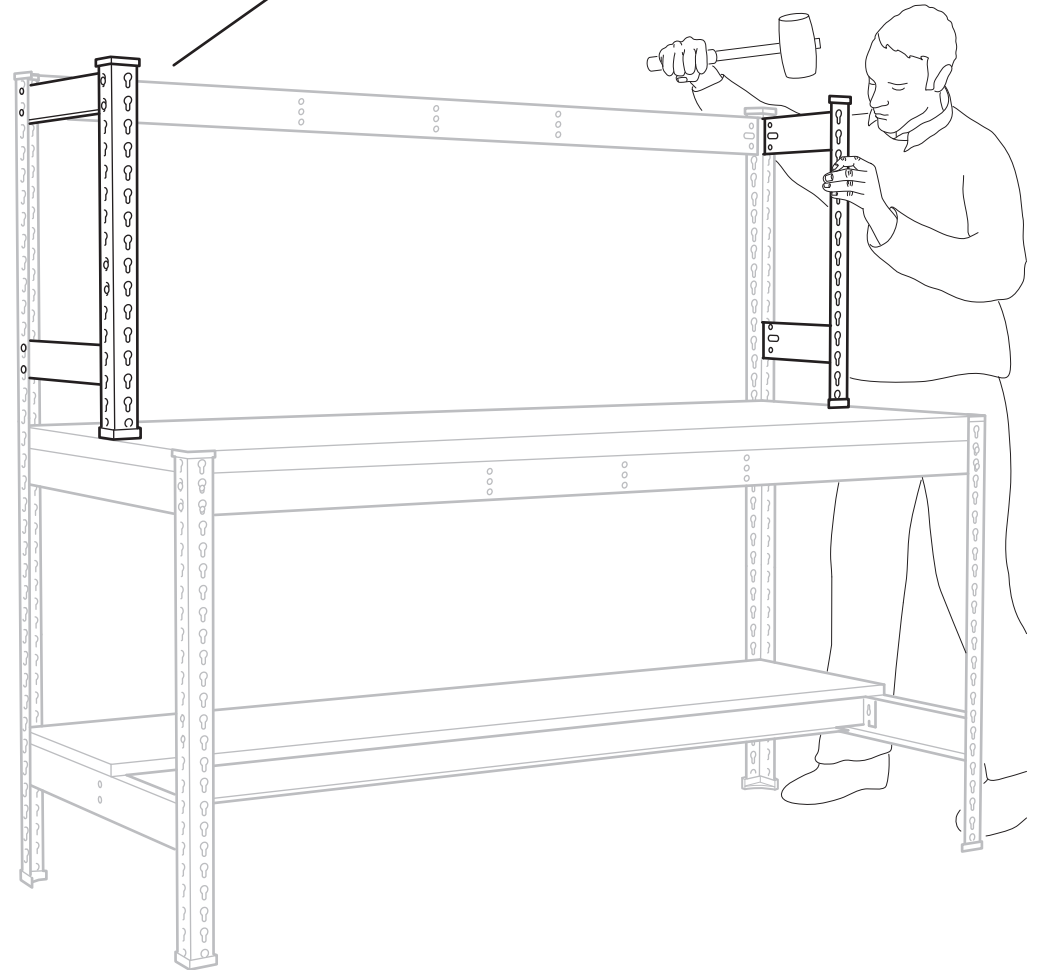
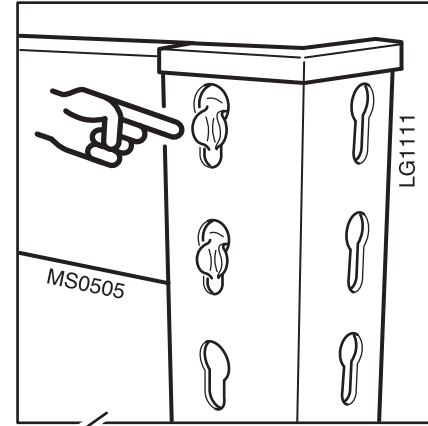
13



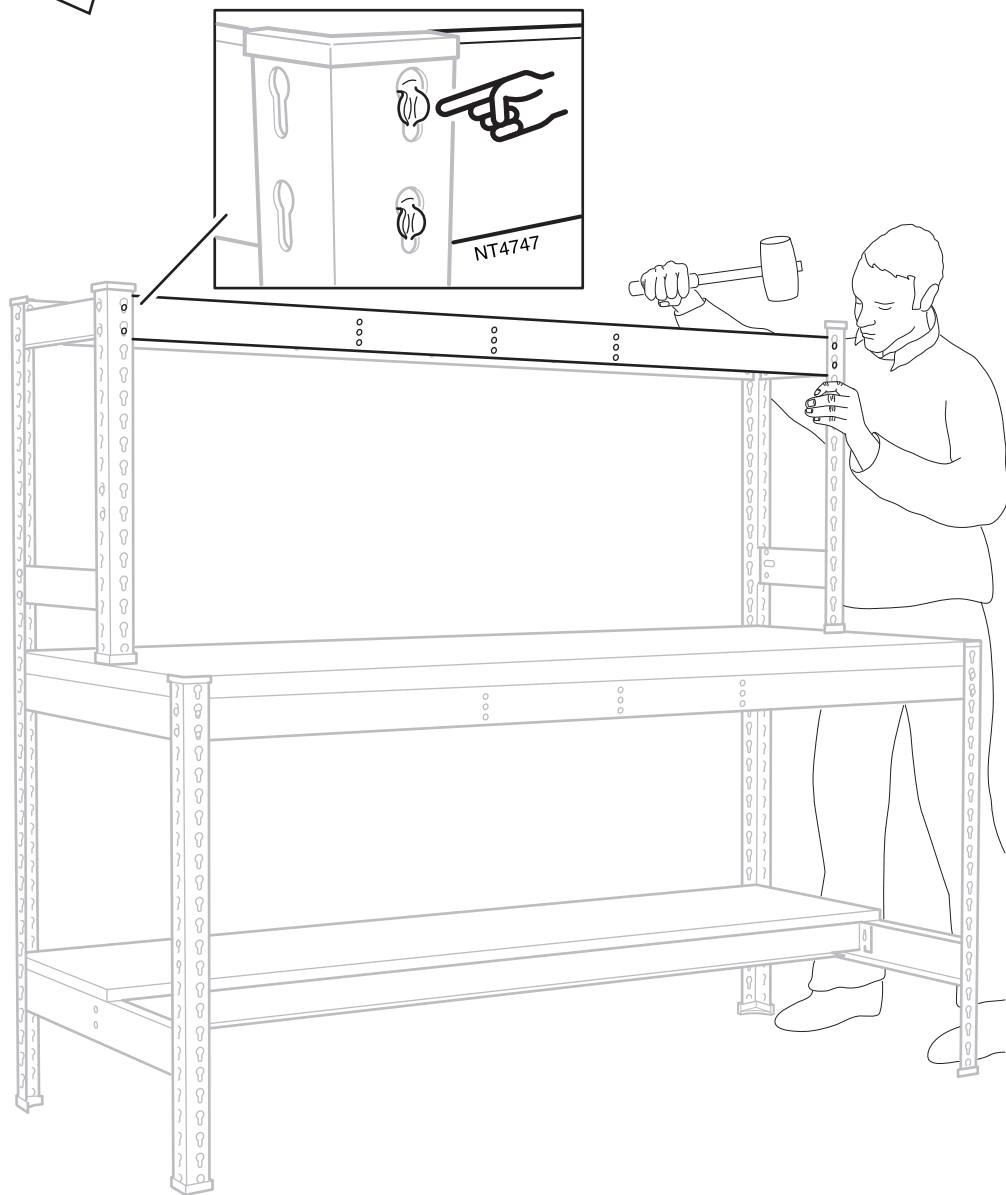
9



10



12



13

